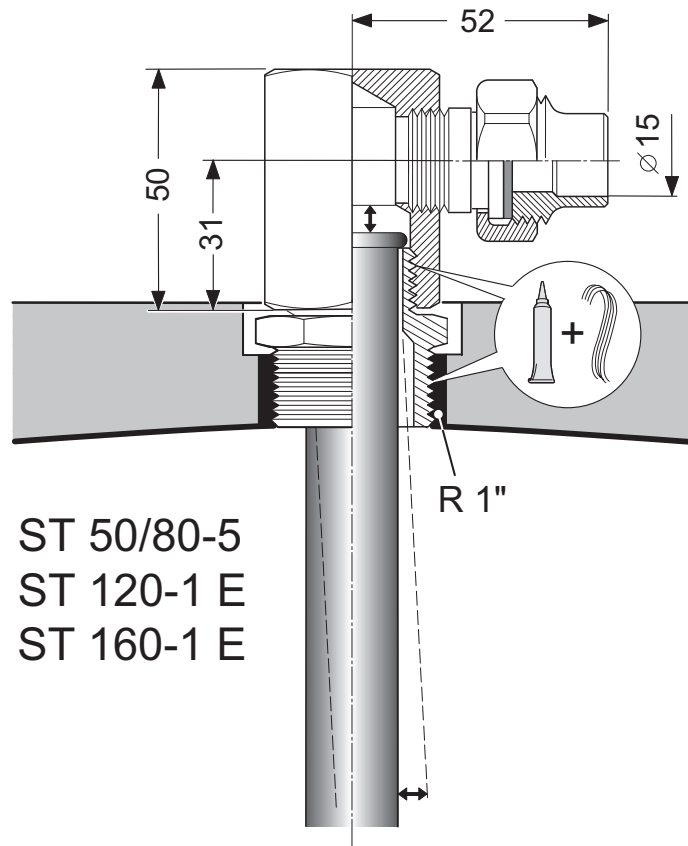


ZL 102

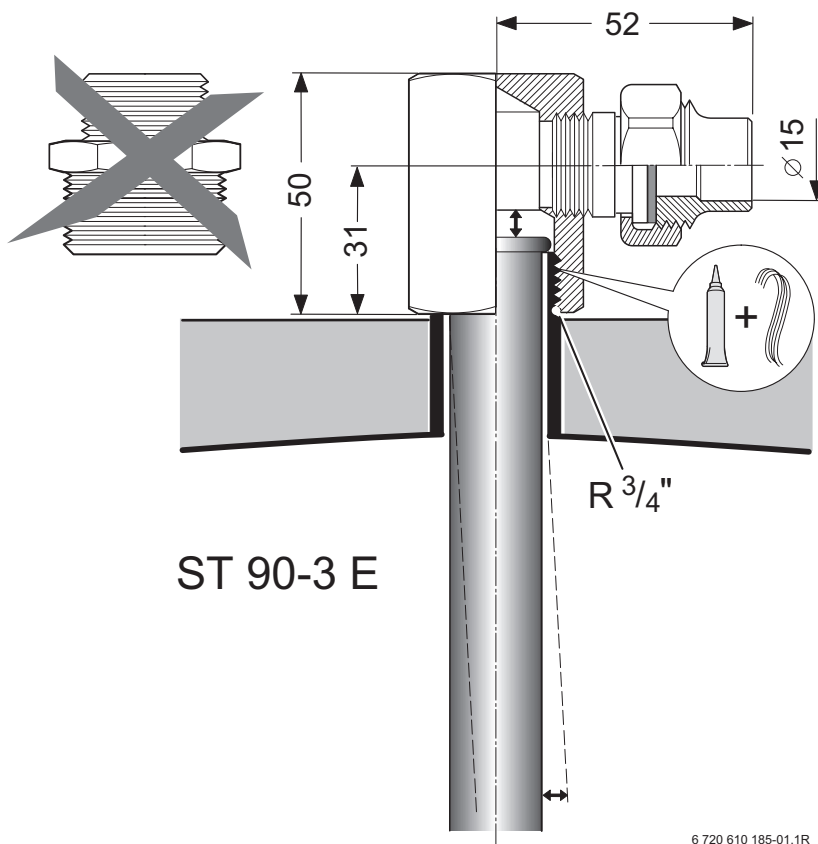
7 719 001 019



6 720 610 185 (99.07) Gm



ST 50/80-5
ST 120-1 E
ST 160-1 E



ST 90-3 E

6 720 610 185-01.1R